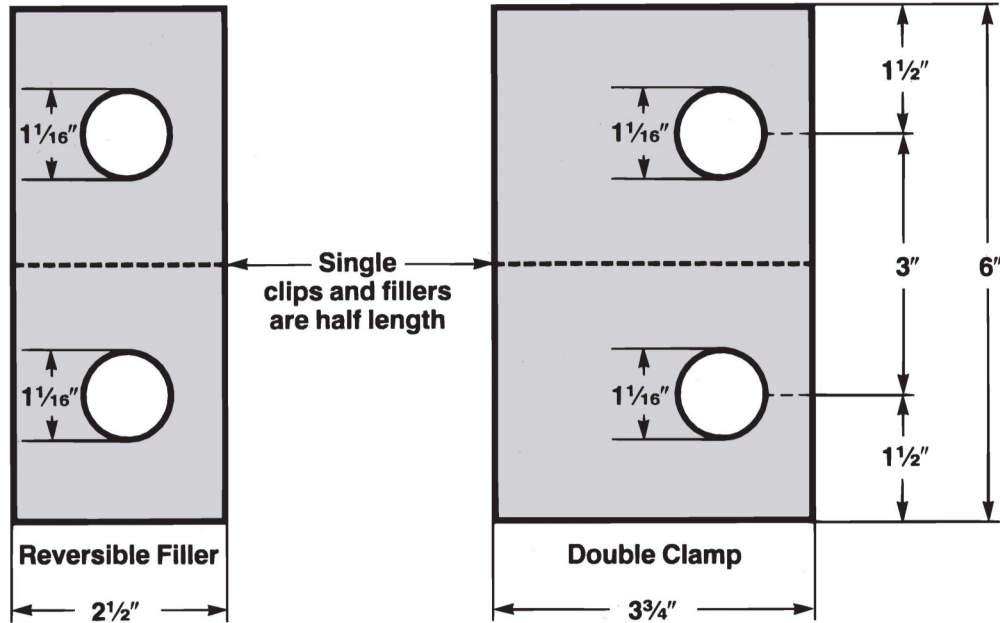


Tight Clamp & Filler 175-lb to 104-lb



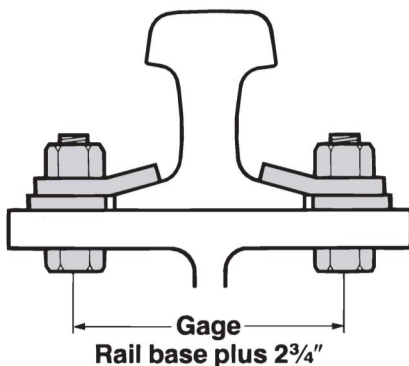
Not to Scale



Tight Fit Clamp & Filler

Type	Holes	Bolt Dia.	Stud Dia.*	Avg. Weight	Normal Spacing
F1T	Single	1"	—	2.69 lbs	Pairs every 2 feet
F2T	Double	1"	—	5.38 lbs	Pairs every 3 feet
S1T*	Single	—	1"	3.17 lbs	Pairs every 2 feet
S2T*	Double	—	1"	6.34 lbs	Pairs every 3 feet

*Studs can be welded to girder or filler plate where thru-structure fastening is impossible.



To order: Specify rail weight and section. All clamps supplied without bolts.