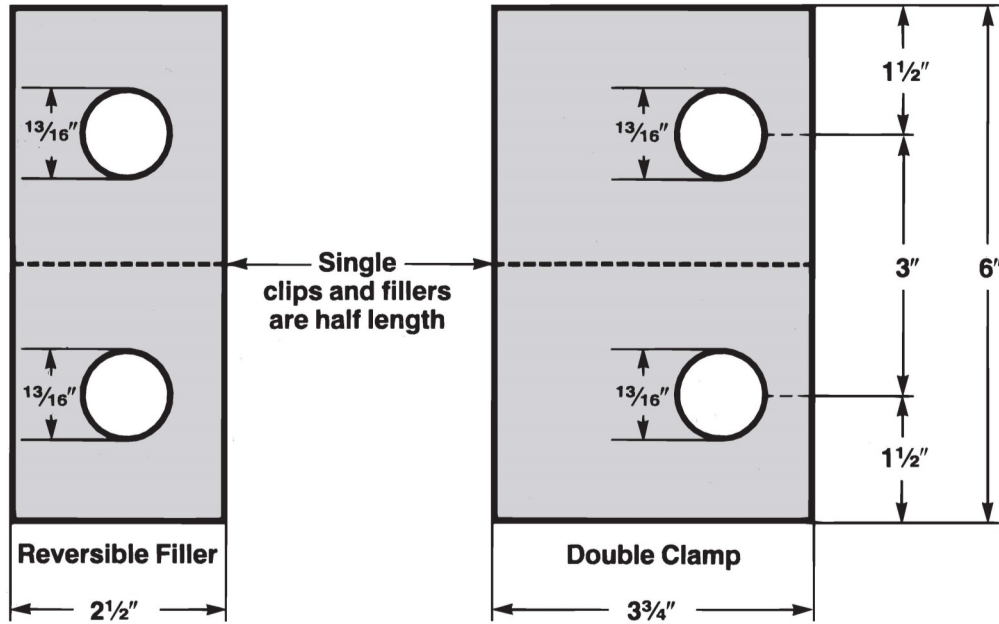


Tight Clamp & Filler 100-lb to 12-lb



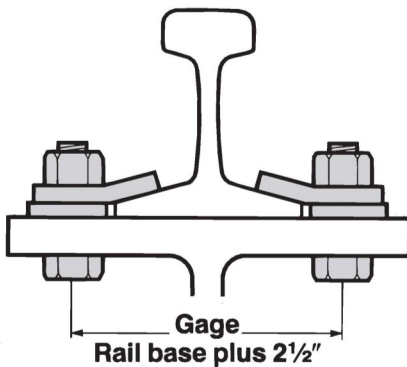
Not to Scale



Tight Fit Clamp & Filler

Type	Holes	Bolt Dia.	Stud Dia.*	Avg. Weight	Normal Spacing
F1T	Single	3/4"	—	1.59 lbs	Pairs every 2 feet
F2T	Double	3/4"	—	3.18 lbs	Pairs every 3 feet
S1T*	Single	—	3/4"	1.86 lbs	Pairs every 2 feet
S2T*	Double	—	3/4"	3.72 lbs	Pairs every 3 feet

*Studs can be welded to girder or filler plate where thru-structure fastening is impossible.



To order: Specify rail weight and section. All clamps supplied without bolts.