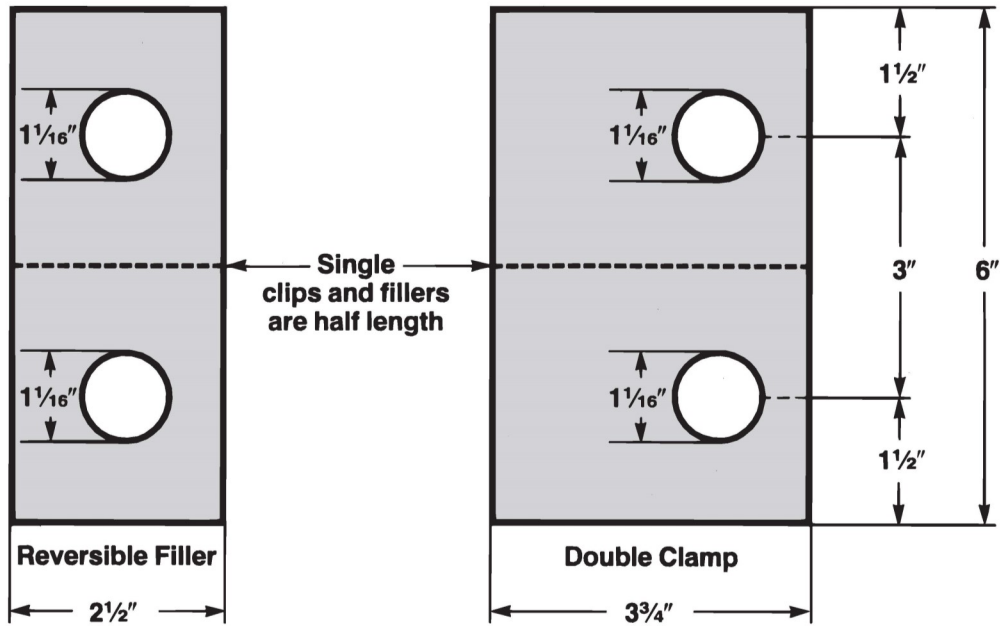


Loose Clamp & Filler 175-lb to 104-lb



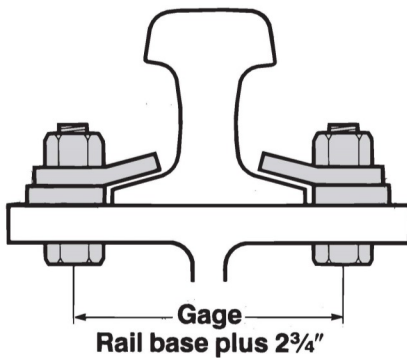
Not to Scale



Loose Fit Clamp & Filler

Type	Holes	Bolt Dia.	Stud Dia.*	Avg. Weight	Normal Spacing
F1L	Single	1"	—	2.92 lbs	Pairs every 2 feet
F2L	Double	1"	—	5.84 lbs	Pairs every 3 feet
S1L*	Single	—	1"	3.40 lbs	Pairs every 2 feet
S2L*	Double	—	1"	6.80 lbs	Pairs every 3 feet

*Studs can be welded to girder or filler plate where thru-structure fastening is impossible.



To order: Specify rail weight and section. All clamps supplied without bolts.