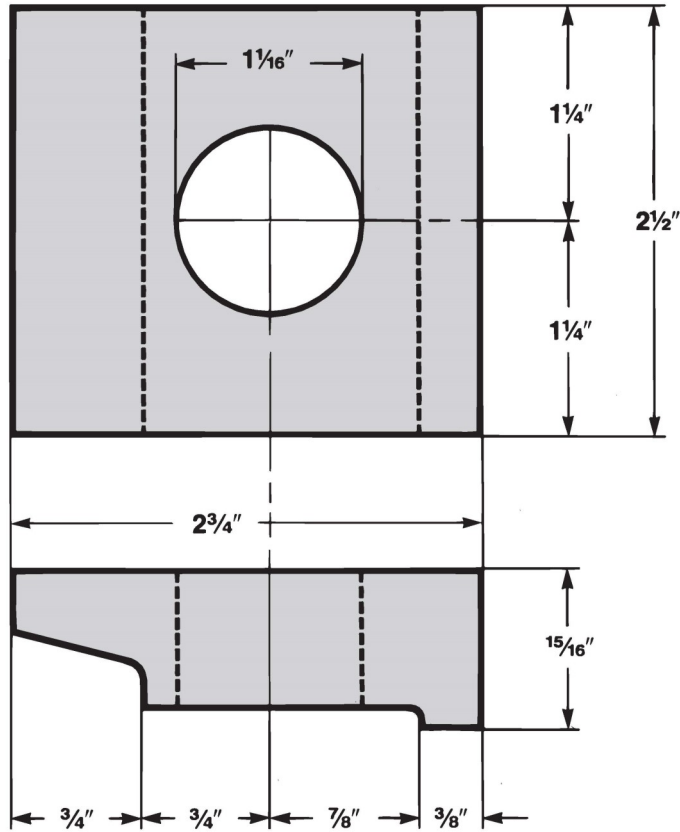


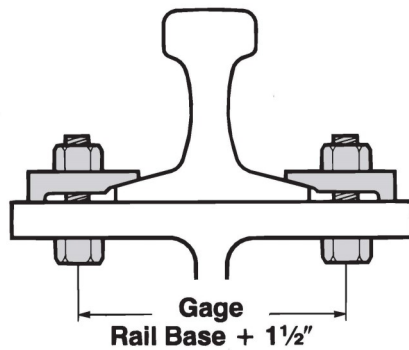
No. 62 Clip



No. 62 Clip

Clip Weight	Bolt Diameter	Use With	Normal Spacing
1.2 lbs	1"	140-lb AREA to 100-lb AREA 135-lb Crane to 104-lb Crane 100-lb ARA-A • 90-lb ARA-A	Pairs every 2 feet

Please specify if clip is to be welded.



To order: Specify clip number.
All clips supplied without bolts.