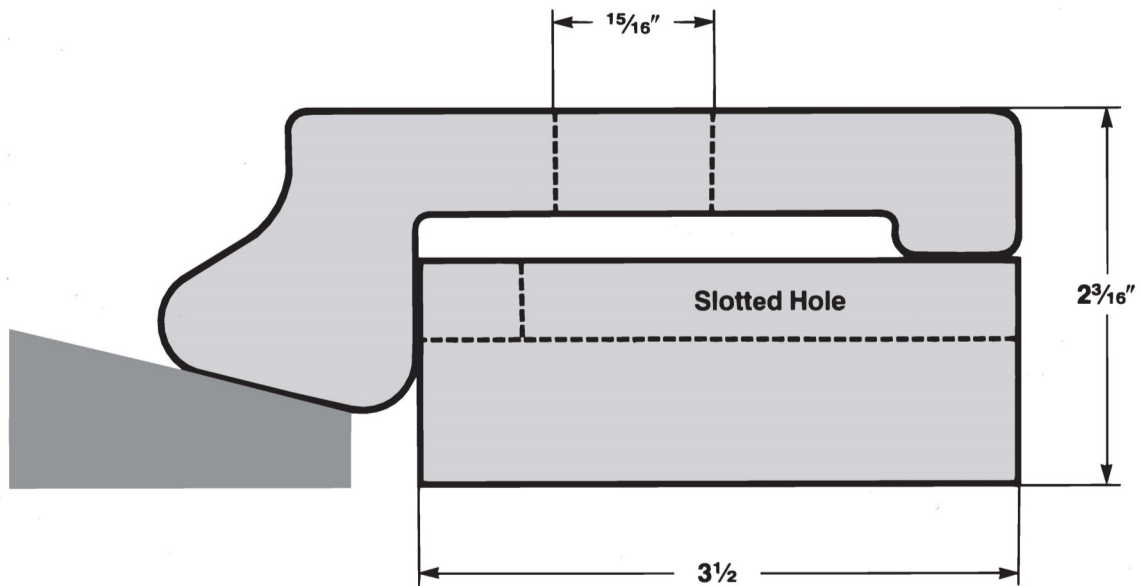


**Clip and Holder
175-lb to 100-lb**



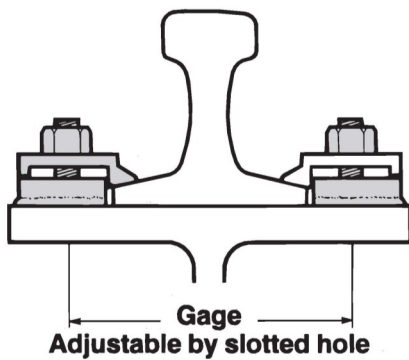
ATLANTIC TRACK



Double Welded Clip & Holder

Type	Holes	Bolt Size*	Construction	Weight	Normal Spacing
H2	Two	7/8" x 2 3/8"	Forged A36 Steel	9.10 lbs	Pairs every 3 feet

*High strength bolt with nut and lockwasher.



To order: Specify rail weight and section. Supplied without bolts.