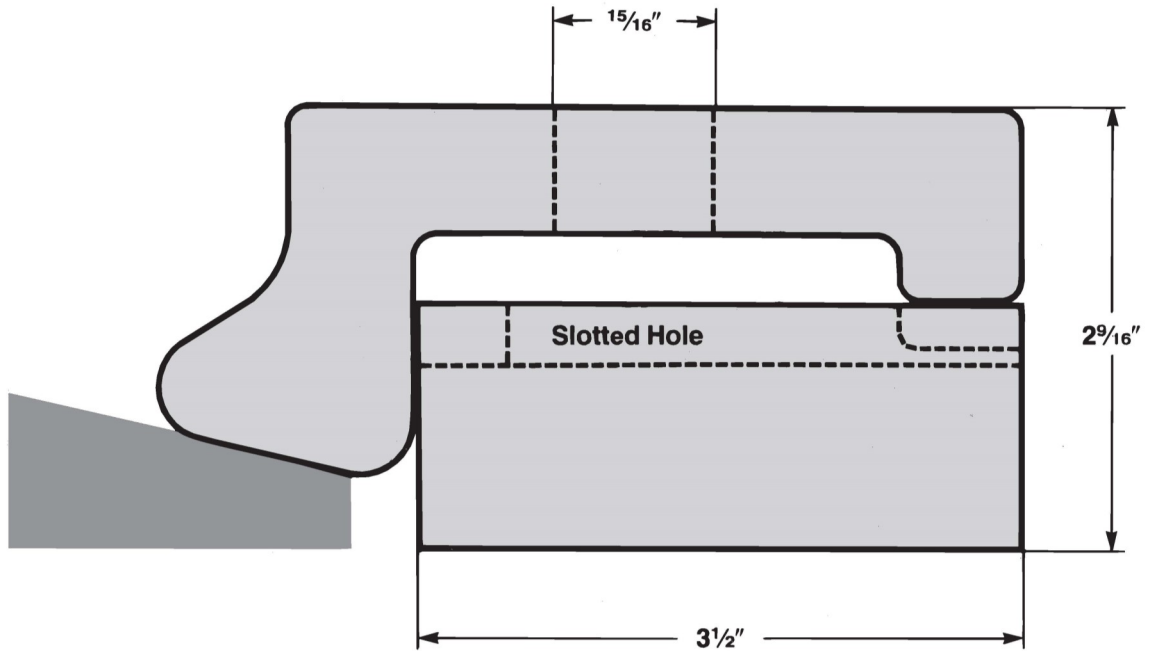


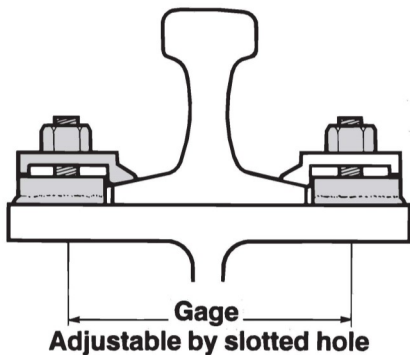
Clip and Holder
175-lb to 100-lb



Single Welded Clip & Holder

Type	Holes	Bolt Size*	Construction	Weight	Normal Spacing
H1	One	7/8" x 2 3/4"	Forged A36 Steel	5.20 lbs	Pairs every 2 feet

*High strength bolt with nut and lockwasher.



To order: Specify rail weight and section. Supplied without bolts.