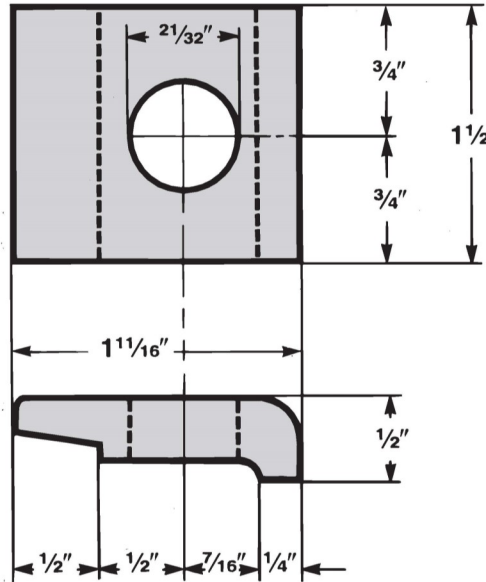


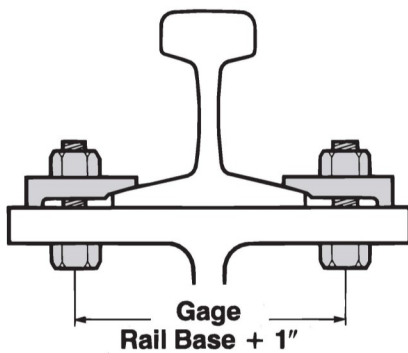
# No. 114 Clip



## No. 114 Clip

Clip Weight	Bolt Diameter	Use With	Normal Spacing
.24 lbs	$\frac{5}{8}$ "	40-lb ASCE to 20-lb ASCE	Pairs every 2 feet

Please specify if clip is to be welded.



To order: Specify clip number.  
All clips supplied without bolts.