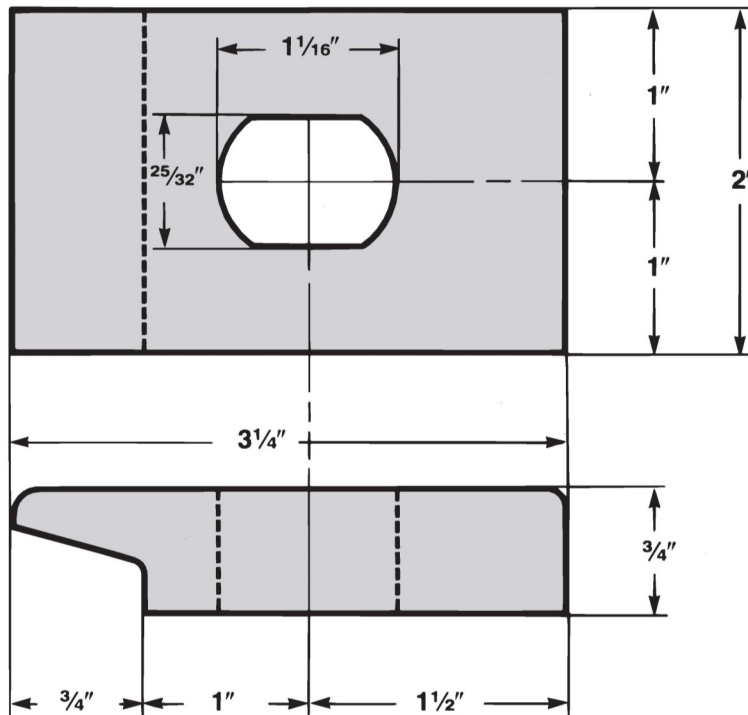


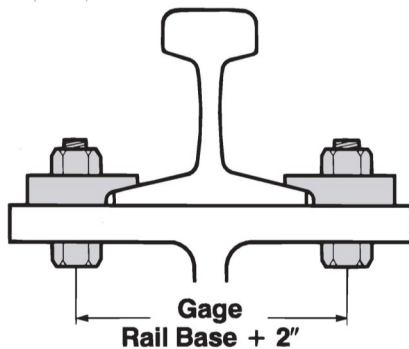
# No. 106 Clip



## No. 106 Clip

Clip Weight	Bolt Diameter	Use With	Normal Spacing
1.05 lbs	$\frac{3}{4}$ "	90-lb ARA-A 85-lb ASCE to 60-lb* ASCE *No. 106W Fits 60-lb ASCE	Pairs every 2 feet

Please specify if clip is to be welded.



To order: Specify clip number.  
All clips supplied without bolts.