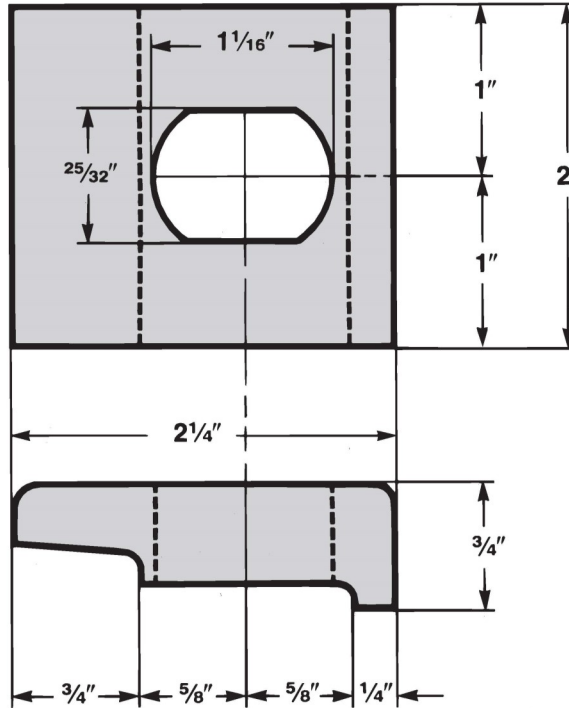


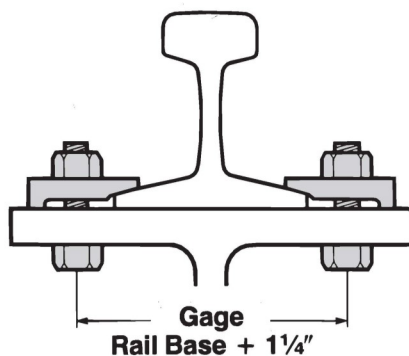
No. 103 Clip



No. 103 Clip

Clip Weight	Bolt Diameter	Use With	Normal Spacing
.58 lbs	3/4"	100-lb AREA • 100-lb ARA-A 85-lb ASCE to 40-lb ASCE	Pairs every 2 feet

Please specify if clip is to be welded.



To order: Specify clip number.
All clips supplied without bolts.