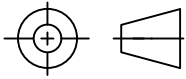


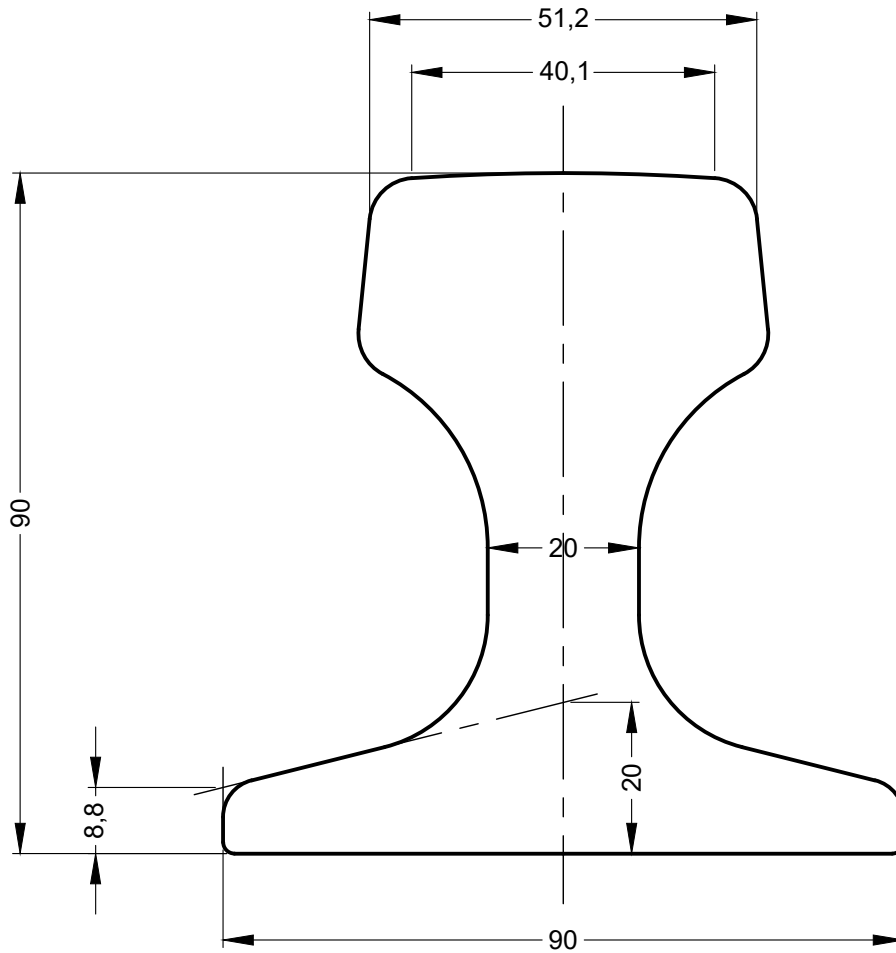
THIRD ANGLE PROJECTION



Edition A

Date 02/21/21

Scale 1:1 @ A4



THE PROPERTIES SPECIFIED HAVE BEEN CALCULATED USING AUTOCAD. THE FIGURES MAY BE DIFFERENT FROM THE PUBLISHED IN THE STANDARD FOR THE RAIL.



ATLANTIC TRACK
CRANE RUNWAY DIVISION
INTERNATIONAL



Rail Designation	ISCR 50
Rail Origin	INDIA
Standard	IS 3443-1980
Area of section	3799 mm ²
Calculated Mass	29.8 kg/m
Neutral Axis to base	42.7 mm
Moment of Inertia	Ixx 347 cm ⁴ YY 107 cm ⁴

THE TECHNICAL INFORMATION IN THIS DRAWING IS PROPERTY OF ATLANTIC TRACK AND IS SUBJECT TO COPYRIGHT. REPRODUCTION WITHOUT CONSENT IS PROHIBITED.